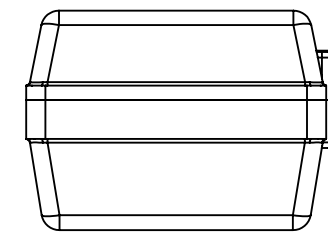
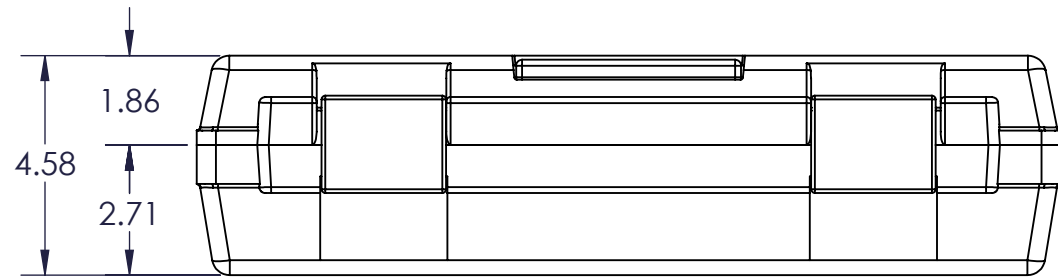
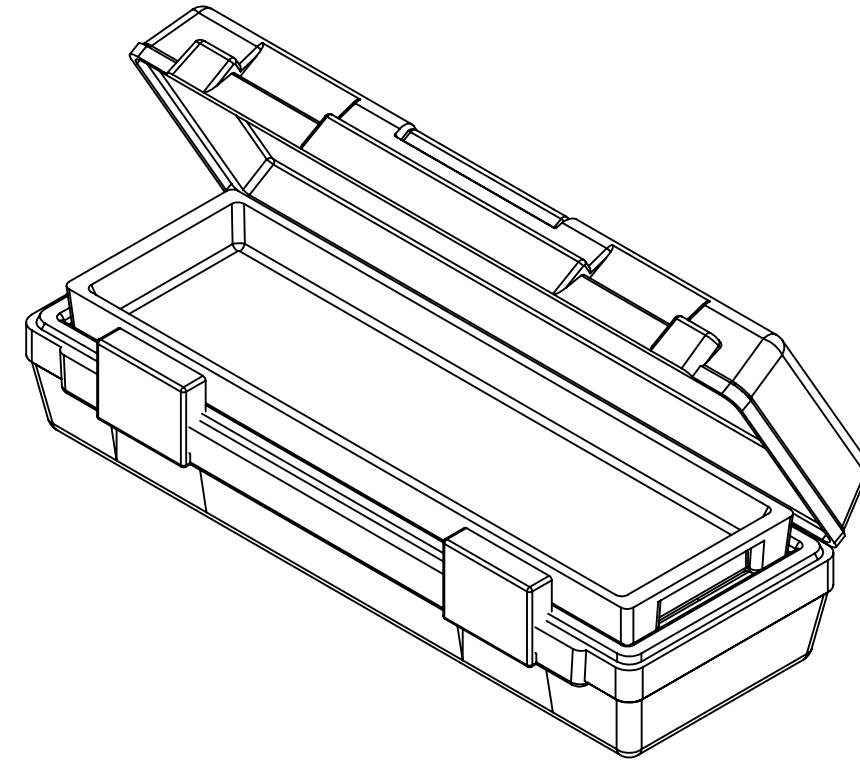
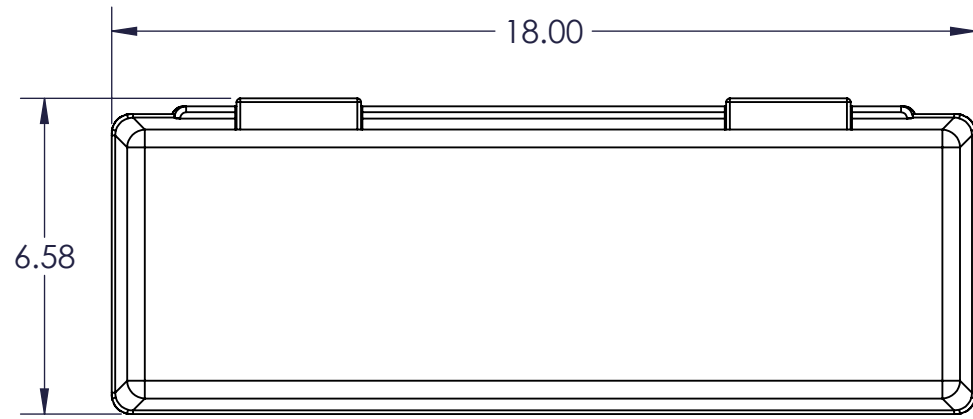


Notes
 1. Logo depth of 0.1"

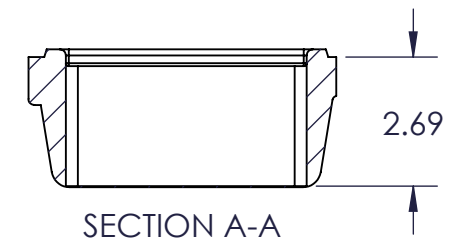
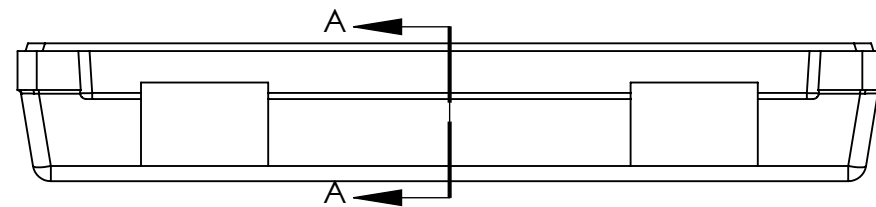
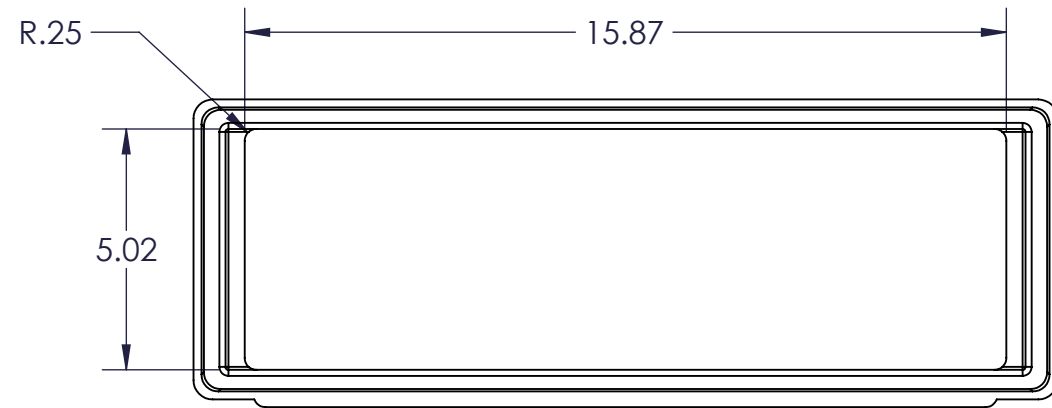
REV	ECR	DESCRIPTION	DATE	BY	APR
REVISIONS					

<p>PROPRIETARY AND CONFIDENTIAL THE INFORMATION CONTAINED IN THIS DRAWING IS THE SOLE PROPERTY OF FLAMBEAU, INC. ANY REPRODUCTION IN PART OR AS A WHOLE WITHOUT THE WRITTEN PERMISSION OF FLAMBEAU, INC. IS PROHIBITED.</p> <p>DIMENSIONS ARE IN INCHES TOLERANCES: FRACTIONAL $\pm 1/64$" ANGULAR: MACH $\pm .5$ BEND \pm TWO PLACE DECIMAL $\pm .040$" THREE PLACE DECIMAL $\pm .005$" FOUR PLACE DECIMAL $\pm .001$"</p>	SHT	FLAMBEAU, INC. <small>911 LYNN AVENUE BARABOO, WI 53913 PH.(608)356-5551</small>		
	1	Scale: 1:4	BFI No: NA	Drawn By: RJH Date: 6-8-18
		Mold No: NA	Mat'l:	FPN: TBD
	OF	Description: TB-SM - BACK TOP RIGHT		
1	Customer: Flambeau Packaging	Dwg No: 50042-TE		



REV	ECR	DESCRIPTION	DATE	BY	APR
REVISIONS					

<p>PROPRIETARY AND CONFIDENTIAL THE INFORMATION CONTAINED IN THIS DRAWING IS THE SOLE PROPERTY OF FLAMBEAU, INC. ANY REPRODUCTION IN PART OR AS A WHOLE WITHOUT THE WRITTEN PERMISSION OF FLAMBEAU, INC. IS PROHIBITED.</p> <p>DIMENSIONS ARE IN INCHES TOLERANCES: FRACTIONAL $\pm 1/64$" ANGULAR: MACH $\pm .5$ BEND \pm TWO PLACE DECIMAL $\pm .040$" THREE PLACE DECIMAL $\pm .005$" FOUR PLACE DECIMAL $\pm .001$"</p>	SHT	FLAMBEAU, INC. <small>911 LYNN AVENUE BARABOO, WI 53913 PH.(608)356-5551</small>		
	1	Scale: 1:4	BFI No: NA	Drawn By: RJH Date: 6-8-18
	OF	Mold No: NA	Mat'l:	FPN: TBD
	1	Description: TB-SM - FRONT BOTTOM LEFT		
		Customer: Flambeau Packaging	Dwg No: 50042-BE	

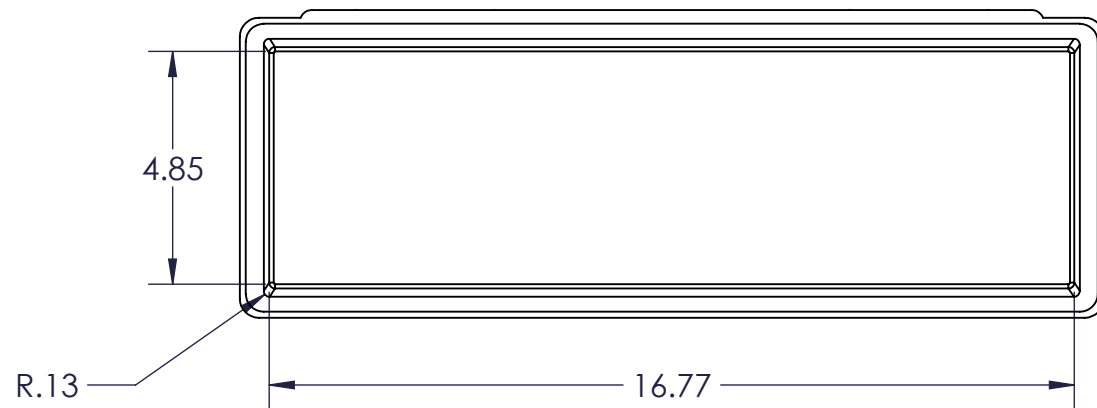
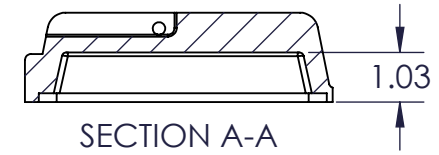
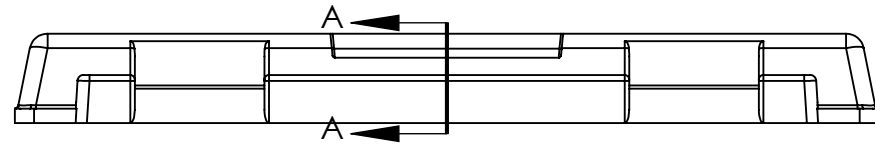


Notes

1. Drawing represents the usable storage space for the base interior
2. Flambeau suggest requesting a sample box before designing any fitted dunnage such as foam interiors

PROPRIETARY AND CONFIDENTIAL THE INFORMATION CONTAINED IN THIS DRAWING IS THE SOLE PROPERTY OF FLAMBEAU, INC. ANY REPRODUCTION IN PART OR AS A WHOLE WITHOUT THE WRITTEN PERMISSION OF FLAMBEAU, INC. IS PROHIBITED.	SHT 1	FLAMBEAU, INC. 911 LYNN AVENUE BARABOO, WI 53913 PH.(608)356-5551	
	1	Scale: 1:4 Mold No: NA	BFI No: NA Mat'l: Drawn By: RJH Date: 6-8-18 FPN: TBD
DIMENSIONS ARE IN INCHES TOLERANCES: FRACTIONAL ±1/64" ANGULAR: MACH ± .5 BEND ± TWO PLACE DECIMAL ±.040" THREE PLACE DECIMAL ±.005" FOUR PLACE DECIMAL ±.001"	OF 1	Description: TB-SM - BASE INTERIOR Customer: Flambeau Packaging Dwg No: 50042-BI	

REV	ECR	DESCRIPTION	DATE	BY	APR
REVISIONS					

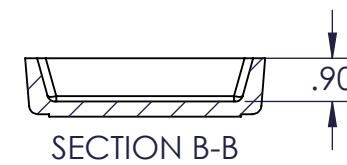
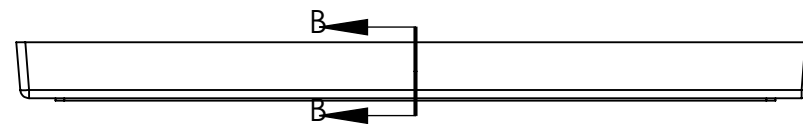
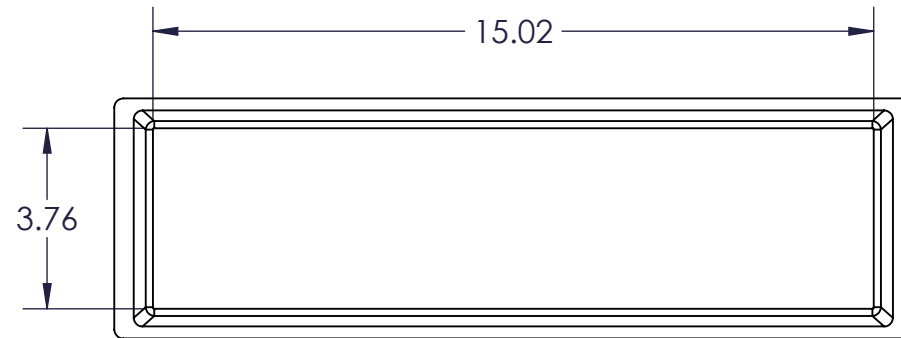


Notes

1. Drawing represents the usable storage space for the lid interior
2. Flambeau suggest requesting a sample box before designing any fitted dunnage such as foam interiors

PROPRIETARY AND CONFIDENTIAL THE INFORMATION CONTAINED IN THIS DRAWING IS THE SOLE PROPERTY OF FLAMBEAU, INC. ANY REPRODUCTION IN PART OR AS A WHOLE WITHOUT THE WRITTEN PERMISSION OF FLAMBEAU, INC. IS PROHIBITED.	SHT 1	FLAMBEAU, INC. <small>911 LYNN AVENUE BARABOO, WI 53913 PH.(608)356-5551</small>	
	1	Scale: 1:4 Mold No: NA	BFI No: NA Mat'l: Drawn By: RJH Date: 6-8-18 FPN: TBD
DIMENSIONS ARE IN INCHES TOLERANCES: FRACTIONAL ±1/64" ANGULAR: MACH ± .5 BEND ± TWO PLACE DECIMAL ±.040" THREE PLACE DECIMAL ±.005" FOUR PLACE DECIMAL ±.001"	OF 1	Description: TB-SM - LID INTERIOR	
		Customer: Flambeau Packaging	Dwg No: 50042-LI

REV	ECR	DESCRIPTION	DATE	BY	APR
REVISIONS					



Notes

1. Tray fits into the base of the toolbox

REV	ECR	DESCRIPTION	DATE	BY	APR
REVISIONS					

PROPRIETARY AND CONFIDENTIAL THE INFORMATION CONTAINED IN THIS DRAWING IS THE SOLE PROPERTY OF FLAMBEAU, INC. ANY REPRODUCTION IN PART OR AS A WHOLE WITHOUT THE WRITTEN PERMISSION OF FLAMBEAU, INC. IS PROHIBITED.	SHT	FLAMBEAU, INC. <small>911 LYNN AVENUE BARABOO, WI 53913 PH.(608)356-5551</small>		
	1	Scale: 1:4	BFI No: NA	Drawn By: RJH Date: 6-8-18
	OF	Mold No: NA	Mat'l:	FPN: TBD
	1	Description: TB-SM - TRAY INTERIOR		
		Customer: Flambeau Packaging	Dwg No: 50042-TRI	